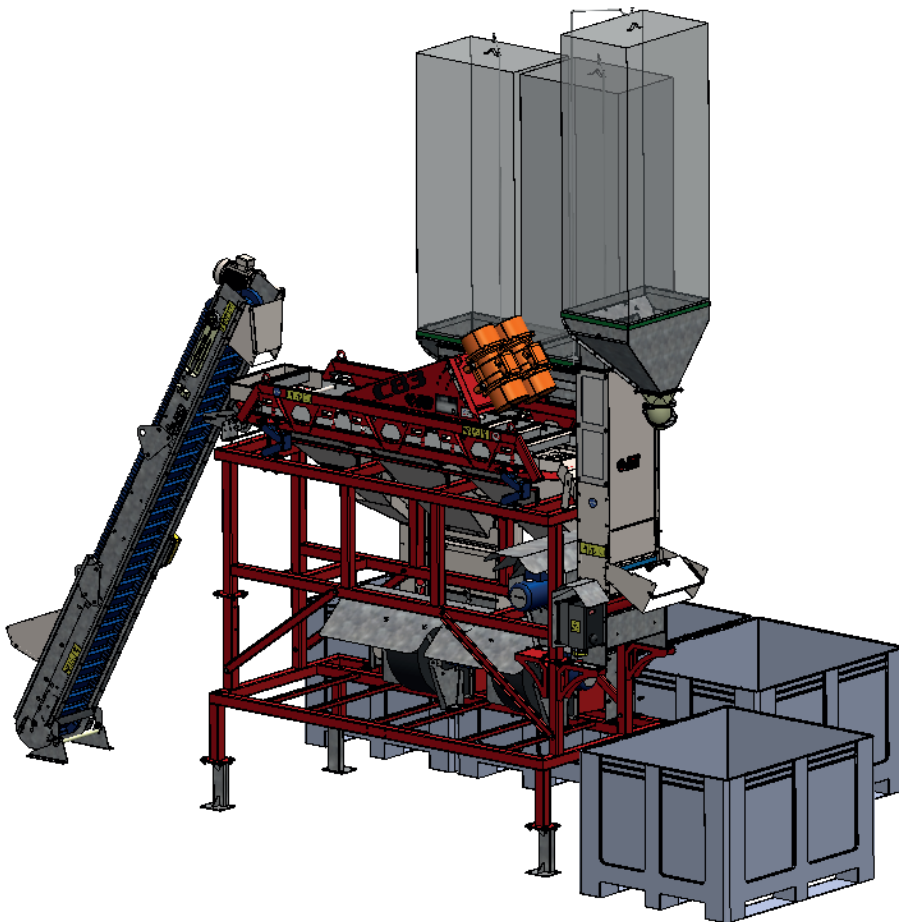


ALMOND/ALMOND KERNEL CALIBRATOR

C83



Manufacturer of solutions for the harvest and work of the fruits 

A M B Rousset
impasse du Tilleul
38470 BEAULIEU - France



Tél : +33 (0) 4 76 36 73 73
Fax : +33 (0) 4 76 36 70 82
E-mail : export@ambrousset.com
www.amb-rousset.com

ALMOND/ALMOND KERNEL CALIBRATOR **C83**

General characteristics

Flat vibrating calibrator

This machine works with all types of nuts.

Enables management of high product flow rates with autonomous unclogging.

Technical specifications

Operation	Flat vibrating calibrator with successive stainless steel grids, separates almonds by size into 4 categories
Flow rate	300 kg/h of almond kernels
Motorization	0.35 kW (380 V)
Chassis	Steel painted with food-grade varnish / product contact stainless steel or HDPE
Technical specifications	stainless steel grates cleaned by a cleaning ball
Options	Support frame + 1 separator per outlet (4 in total)
Safety	CE standards
Dimensions	Length: 2371 mm / Width: 762 mm / Height: 1654 mm
Weight	400 kg

