

EMPTY SHELL REMOVAL BLOWER

SEP 1500 SEP 3100

Fruits and empty shells



BEFORE



Fruits

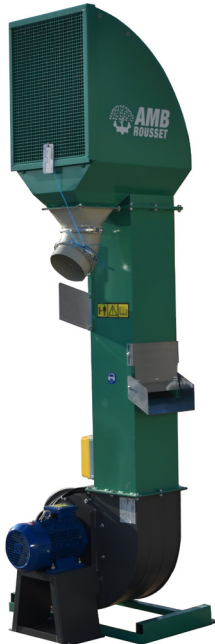
AFTER

Empty shells



SEP 3100

SEP 1500



DRY NUTS



FRESH NUTS



FRESH + DRY NUTS

Manufacturer of solutions for the harvest and work of the fruits



AMB Rousset
impasse du Tilleul
38470 BEAULIEU - France



Tél : +33 (0) 4 76 36 73 73
Fax : +33 (0) 4 76 36 70 82
E-mail : export@ambrousset.com
www.amb-rousset.com

EMPTY SHELL REMOVAL BLOWER

SEP₁₅₀₀
SEP₃₁₀₀

Main Features

Thanks to this separator, it is possible to separate the hollow nuts from the solid nuts by ventilation. Depending on the version chosen, you can separate the fresh nuts and the dry nuts. The air flow is adjusted by diaphragm.

Advantages :

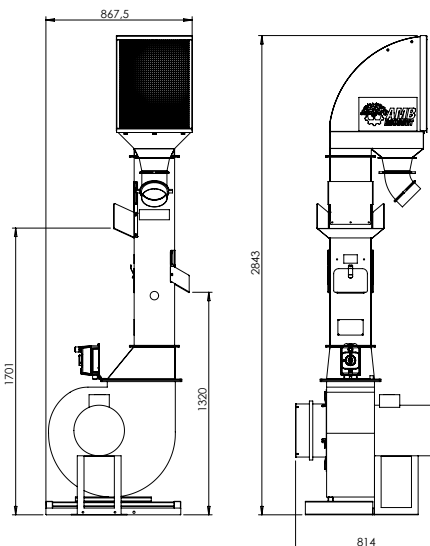
- Suitable for fresh and dry nuts.
- Suitable for fresh hazelnuts and dry hazelnuts.
- Allows to separate the pieces of bugs and chestnut.
- Separates all types of waste by density difference.

Technical specifications

	1500 series		3100 series
	Dry nuts (hazelnuts)	Fresh Nuts	Dry nuts (Hazelnuts) - Fresh nuts
Reference	SEP0006	SEP0019	SEP0012
Yield	1,500 kg / hour	1,500 kg / hour	3000 to 5000 kg / hour (depending on the product)
Setting	Air flow adjustment per diaphragm		Air flow adjustment by electronic variator
Frame	Mechanically welded painted		
Security	Complies with CE standards		
Length	0,87 m	1,10 m	1,59 m
Largeur	0,84 m	1,13 m	1,05 m
Height	2,40 m	2,85 m	4,07 m
Motorization	2.2 kW three-phase 220 / 380V at fixed speed	4 kW three-phase 220 / 380V at fixed speed	4 kW three-phase 220 / 380V at variable speed with electronic speed controller
Options	Variateur de vitesse électronique		
	4580024	4580026	
	Lock type feed brush SEP0022		Lock type feed brush SEP0021
		Angled outlet SEP0024	Angled outlet SEP0031
Weight	82 kg	110 kg	250 kg

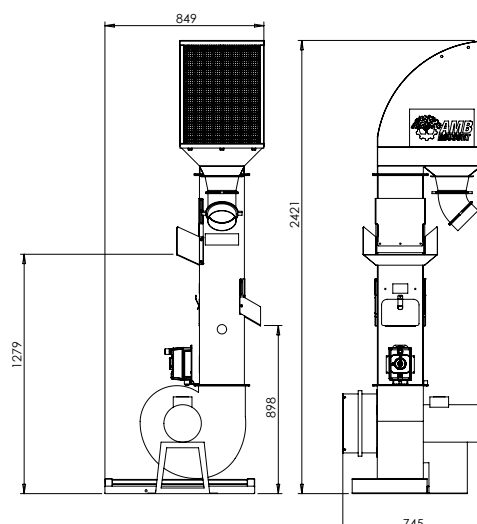
SEP₁₅₀₀

Fresh Nuts



SEP₁₅₀₀

Dry Nuts



SEP₃₁₀₀

Fresh + Dry Nuts

